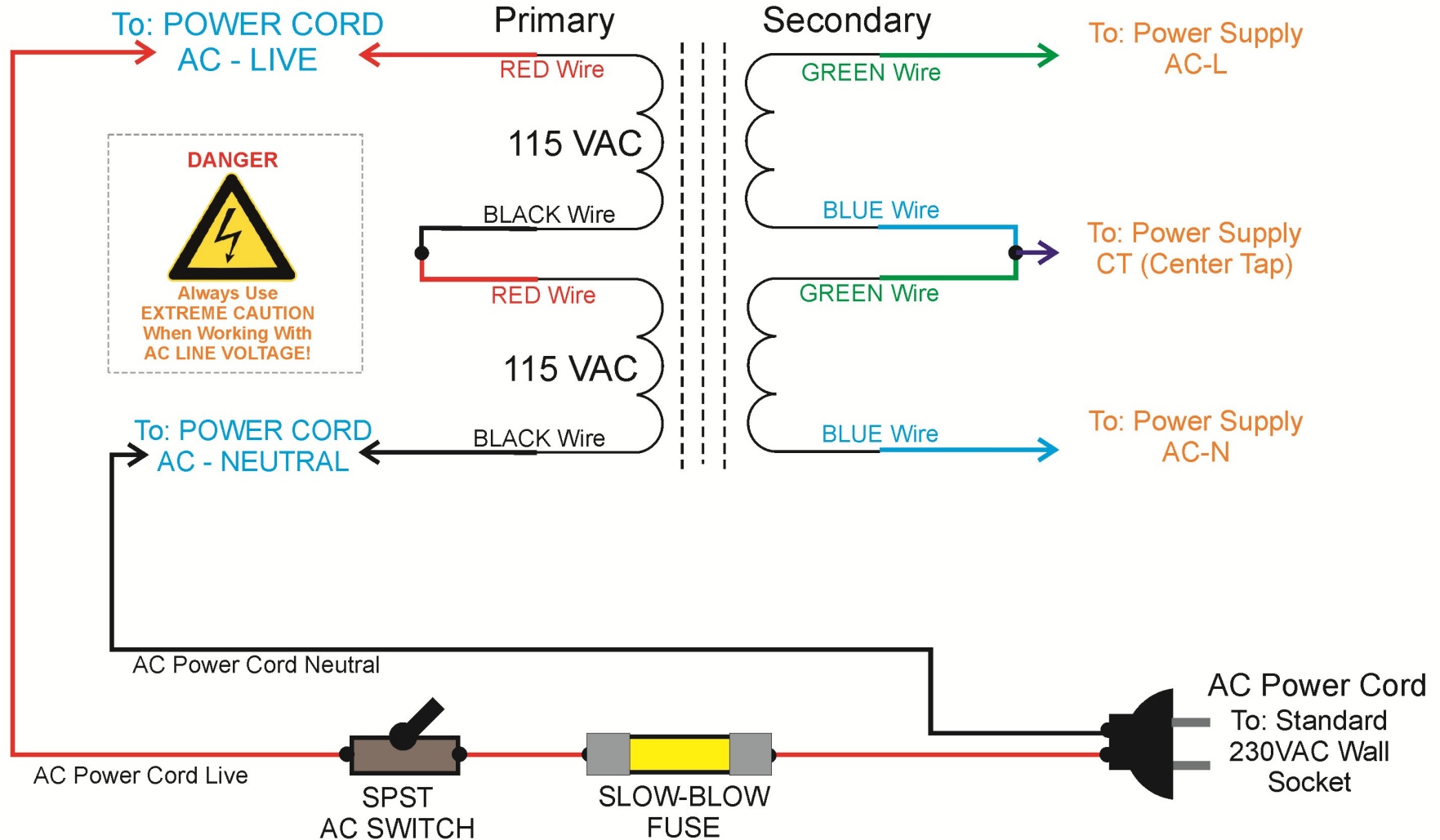


Transformer Wiring Instructions

for Class D Audio Power Supplies & Power Amplifiers
Requiring +/- Dual Power Supply
230 Volt AC (International)

Transformer



- Please contact us at support@classaudio.com with any questions -