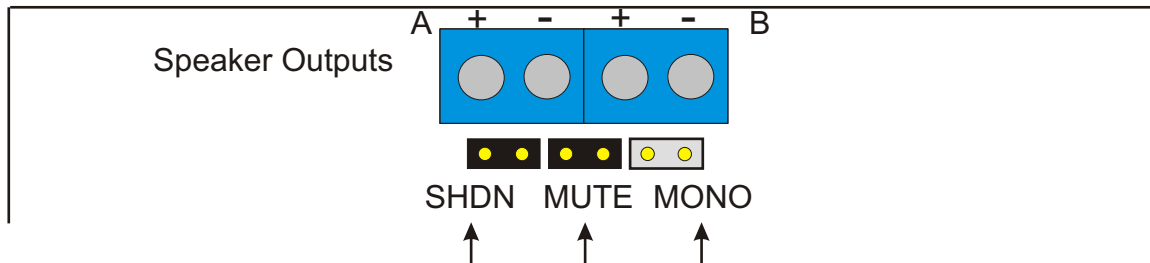
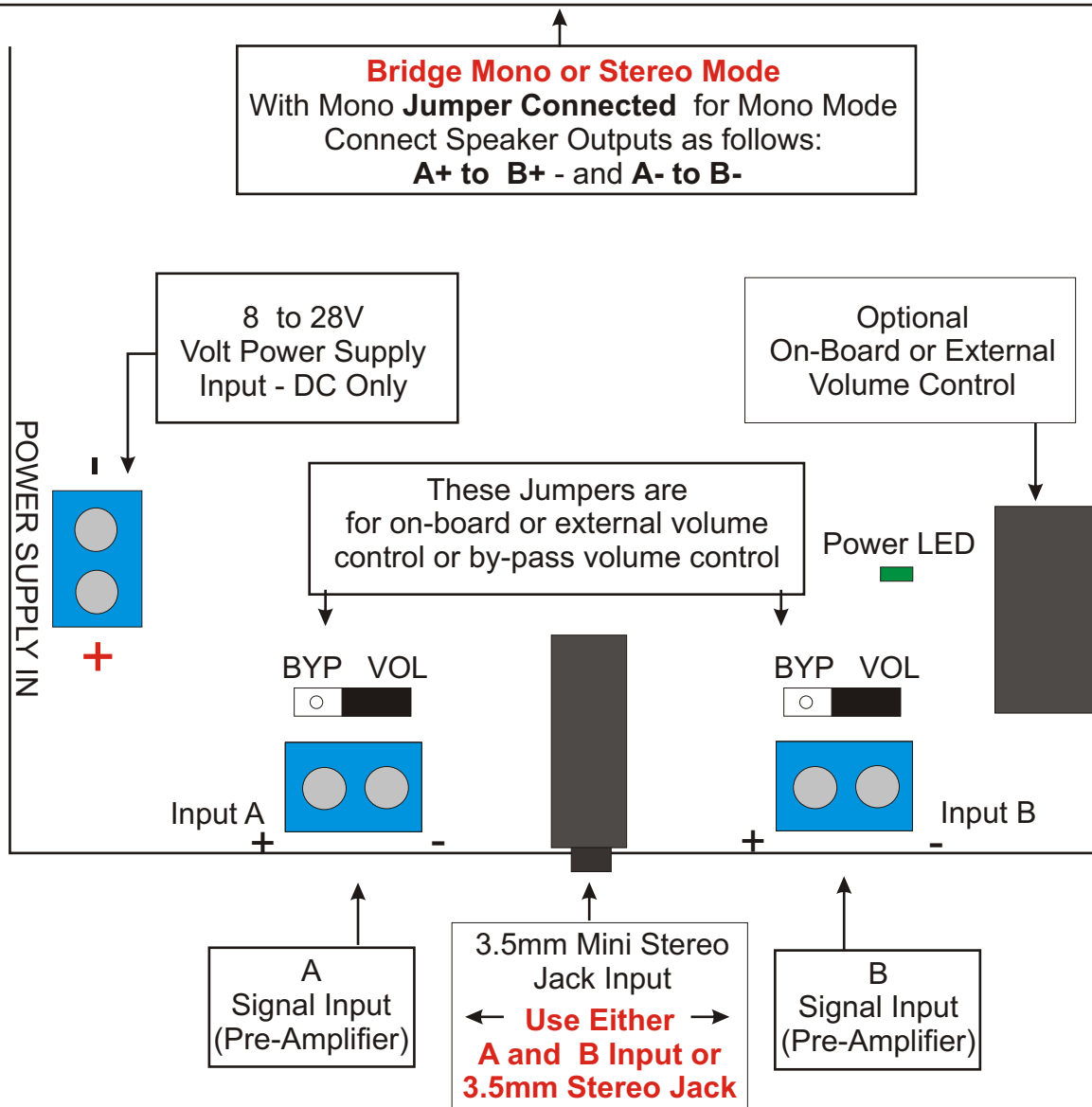


## Class D Audio Mini Power Amplifier Connections



**SHDN** is for external switch to put the amp in Stand-By Mode- jumper On = amp On - Off = Standby  
**Mute** is to add external Mute Switch - jumper On = Sound - Off = Mute  
**Mono** is to put the amp in bridge single channel mode - Off = Stereo - On = Bridge Mode



### Mini Class D Audio Power Amplifier

Class D amplifier to drive 2 x 15W into a pair of 8Ω speakers in stereo mode or 1 x 30W into a 4Ω speaker in mono mode for audio applications.  
 The amplifier runs from an 8V to 28V DC power supply or Battery  
 This amplifier also incorporates Shutdown, Mute Control and optional Volume control